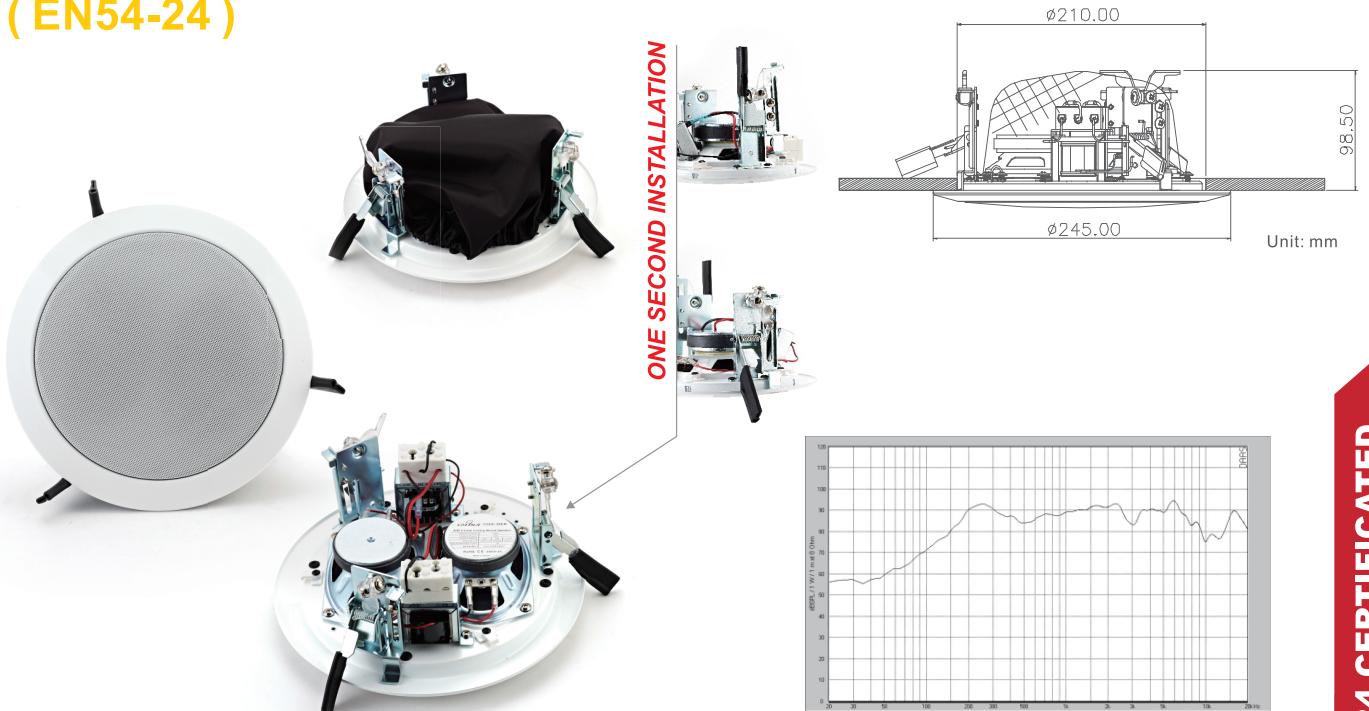


# A/B 2-LINE CEILING SPEAKER

## ( EN54-24 )



### SPECIFICATIONS

Model No.	CSDE-35EN
Rated Power (rms)	6W
Speaker	3"x5" Full Range, Dual Cone ( A/B 2-LINES )
Power Rating( 100V )	6W - 3W - 1.5W
Impedance	1667Ω - 3333Ω - 6667Ω
S.P.L. ( at 1W/1M )	88dB
Maximum Acoustic Pressure	95dB
Frequency Response(-10dB)	130 Hz ~ 20K Hz
Dispersion 1KHz / 4KHz	120° / 100°
Ambient Temperature	-10°C ~ +55°C
Compliant Standard	EN54-24
Dimension	245mm(Dia.)x98.5mm(H)
Cut-Out Diameter	210(Dia.)mm
Material	Steel
Colour	White
Weight	1.6Kg
Power Selection Method	Plug ,Ceramic Terminal Block
Patent No.	Nr. 20 2011 005 495.0 , M 408895